



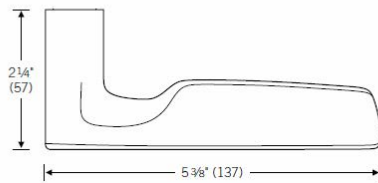
DECORATIVE AND FUNCTIONAL STAINLESS STEEL TRIM
FOR MARINE AND COMMERCIAL APPLICATIONS
FROM WWW.IZERWAREN.COM

SALES@IZERWAREN.COM PHONE: 954-763-6686 FAX: 954-522.6903





EXPLODED VIEW 2019 SETUP STAINLESS STEEL LEVERS AND STAINLESS STEEL ROSES



Lever shown:

LEVER 12.1093

ROSE 12.110N

WWW.IZERWAREN.COM

SALES@IZERWAREN.COM



STAINLESS STEEL MORTISE MARINE LOCK #14.3127R

65 MM ~ 2 1/2" BACKSET WITH STAINLESS STEEL ROSES AND LEVER

ENTRY MORTISE LOCK: #14.3127; LEVER #12.527; ROSE #12.110

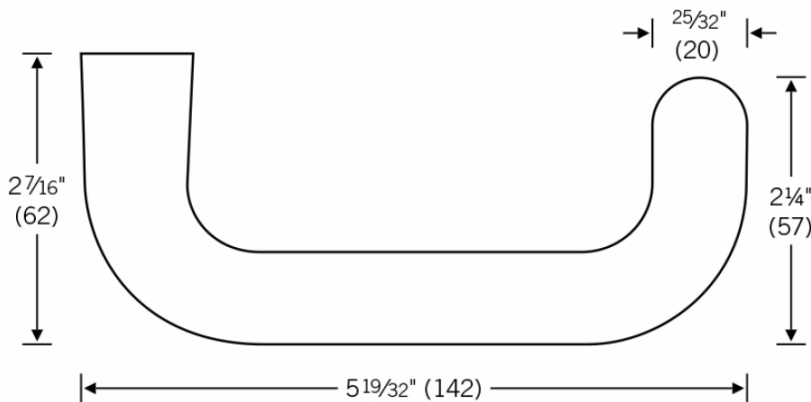
MIRROR POLISHED STAINLESS STEEL

LOCK DETAILS: PLEASE SEE IZERWAREN MAIN CATALOG: CHAPTER 1; PAGE 1-4-Q AND 1-4-S

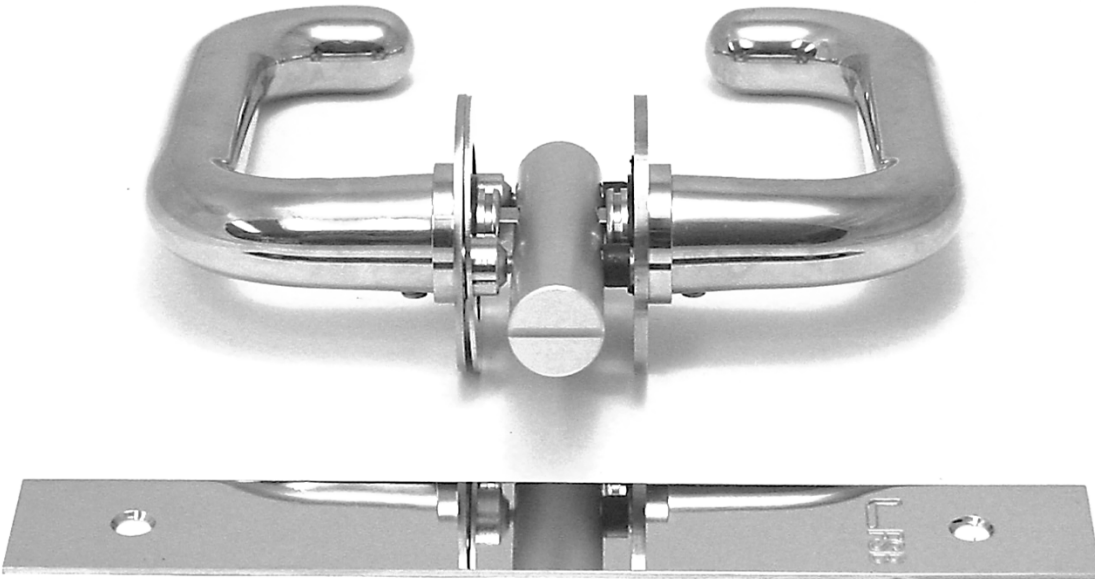
In the early 1990s we gave the plain round rod of the stable-door handle a going over. The shank was conically widened and a hemispherical tip was added to the bent end. Two small but important special features that have given the 1146 model a character all of its own.



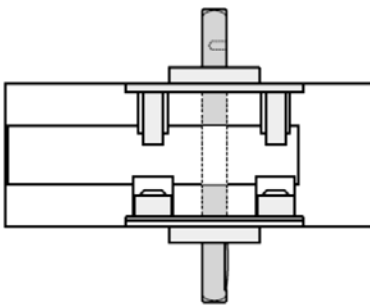
LEVER: 12.045 ROSE: 12.110



PULL: 12.666662



Part no. 12.42311; **Dummy set complete** as shown, with face plate, lever 12.045 and special roses.



Through bolted mounting with $\frac{3}{4}$ " \varnothing borehole.

Set includes one mount bar, one straight spindle, one pair of $2\frac{3}{16}$ " (55 mm) flush roses and two levers. Supplied with blank faceplate to cover edge borehole.



**PICTURED: DOUBLE DOOR SET UP WITH LEVER #12.1035 AND ESCUTCHEON #12.1410
DOUBLE DOOR LOCKS UPON REQUEST, DEPENDING ON YOUR APPLICATION.
CAN BE USED FOR MARINE APPLICATIONS AND COMMERCIAL APPLICATIONS**

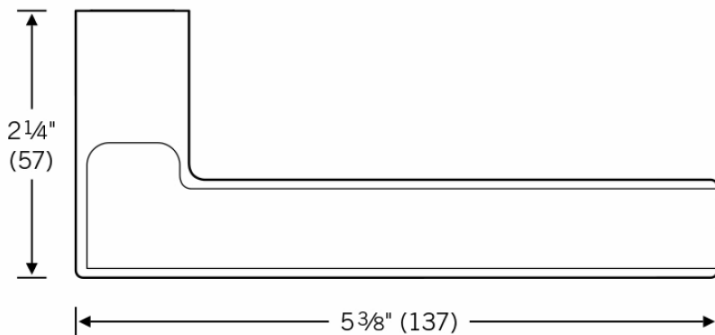
WWW.IZERWAREN.COM SALES@IZERWAREN.COM

In the autumn of 1996, Düsseldorf-based interior designer Heike Falkenberg asked to recreate an old handle design for a renovation job. Using the sketch she submitted, developers milled a prototype from an 1076 handle. This looked so good that we decided to market our gripping idea.

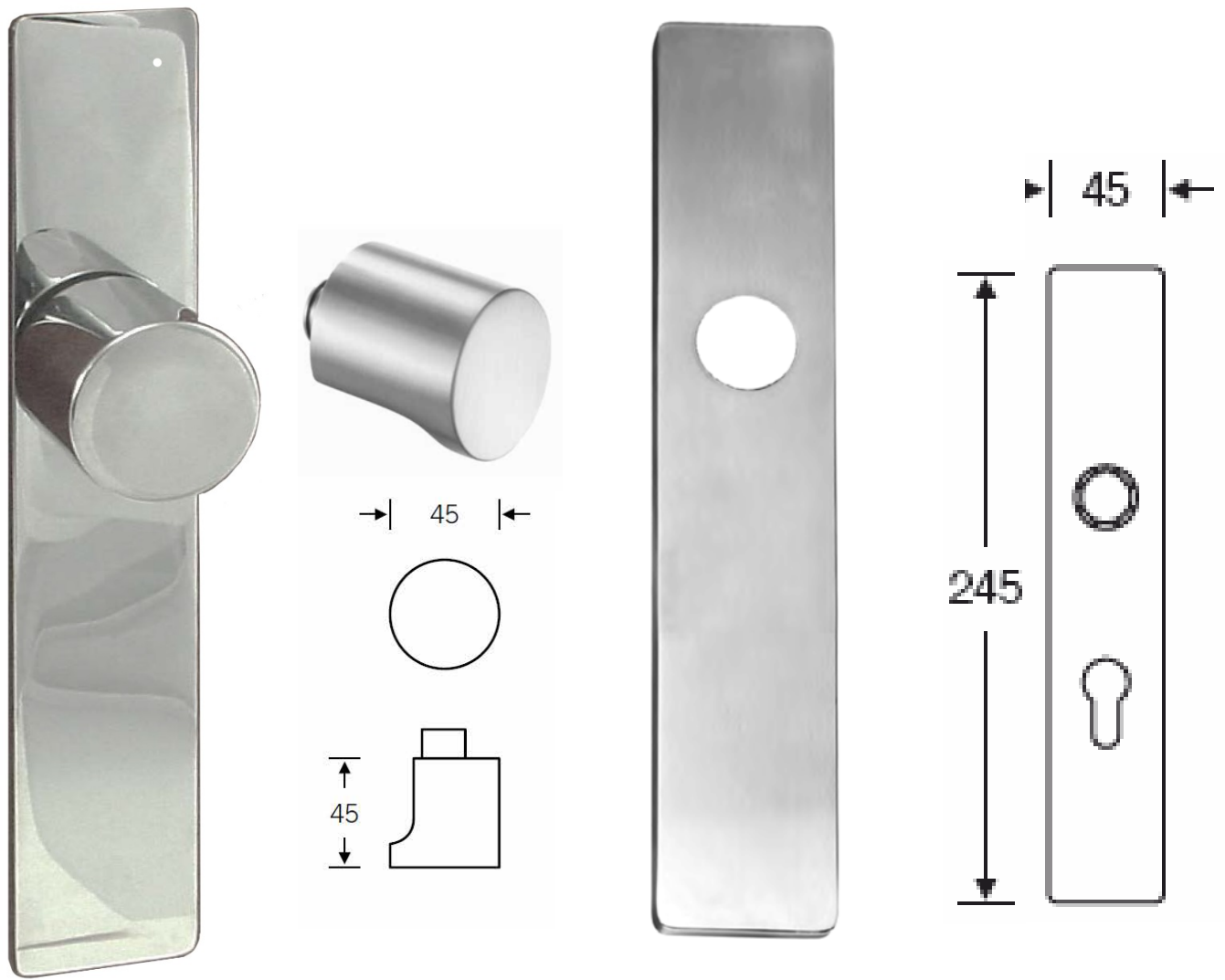


LEVER: 12.1035

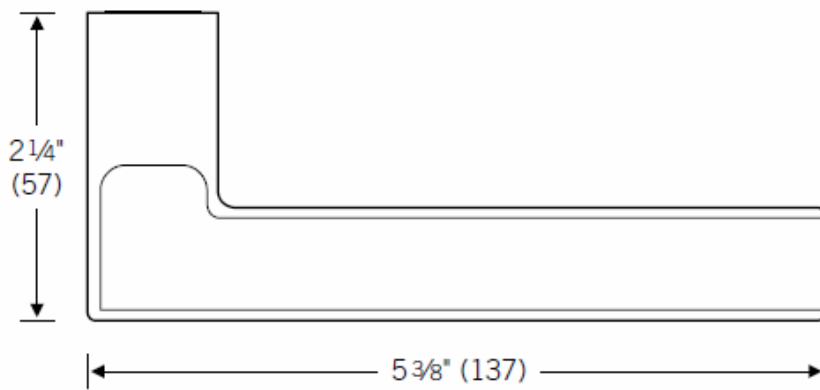
ROSE: 12.1703



DOOR PULL: 12.666540



Escutcheon #12.1410 245 x 45 mm Knob #12.0828
 Polished and Satin Stainless Steel



Lever 12.1035



STAINLESS STEEL TRIOVING MARINE LOCK SET

WITH STAINLESS STEEL CUSTOM LEVERS AND ESCUTCHEONS

LEVER NO.: 12.527 ESCUTCHEON NO.: 12.222 LOCK SET COMPLETE: 11.SEFT.011

POLISHED STAINLESS STEEL



STAINLESS STEEL GSV AND S&B MARINE LOCK

WITH STAINLESS STEEL CUSTOM LEVERS AND ESCUTCHEONS

LEVER NO.: 12.527 ESCUTCHEON NO.: 12.222 LOCK SET COMPLETE: 14.3127.E

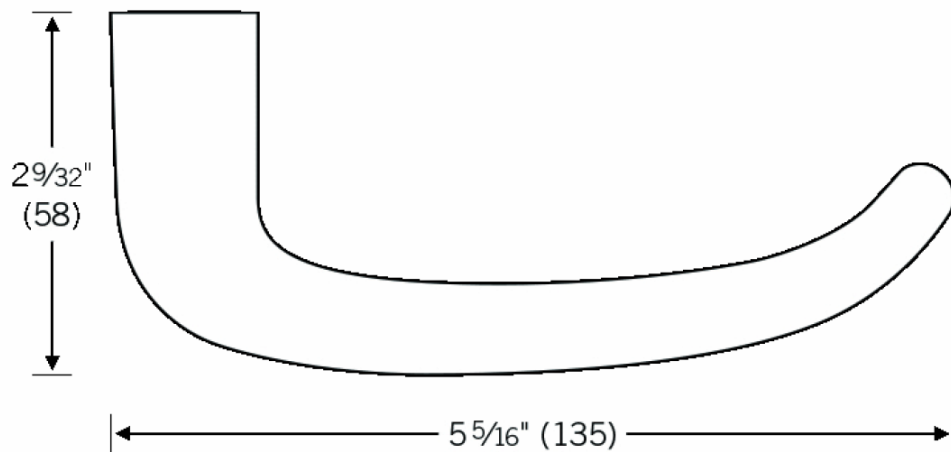
POLISHED STAINLESS STEEL

In the 1950s, the Swiss architect, sculptor and designer Max Bill got together with Ernst Moeckel to fashion a door handle that made design history as the "Ulm handle". From this, Johannes Potente created the 1023 model, which has been an alternative to common U-shaped models ever since.



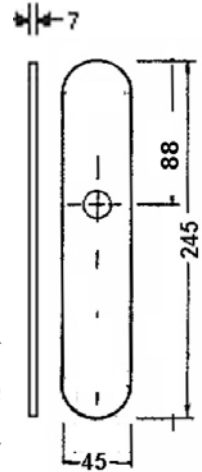
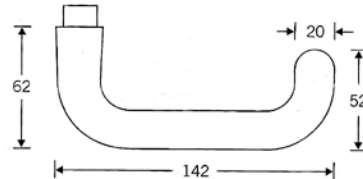
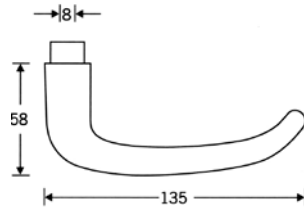
LEVER: 12.527

ROSE: 12.110





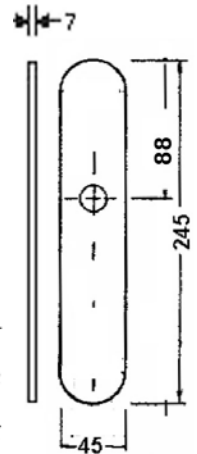
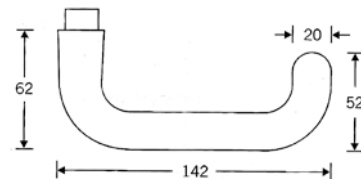
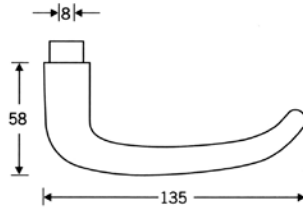
Trioving Marine Locks with Izerwaren **UPGRADE** to Mirror Polished Stainless Steel Exterior Yacht Doors.
55 mm backset - Suitable for aluminum, wood, fiberglass and steel swinging doors.



- # 11.SEFT.011 Complete set with lock, strike and key/thumb-turn
- # 11.SEFT.011 Complete set with lock, strike and key/thumb-turn
- # 11.SEFT.021 Complete set with lock, strike and key/thumb-turn
- # 11.SEFT.021 Complete set with lock, strike and key/thumb-turn

- Lever # 12.527 Polished Stainless Steel
- Lever # 12.527 Satin Stainless Steel
- Lever # 12.045 Polished Stainless Steel
- Lever # 12.045 Satin Stainless Steel

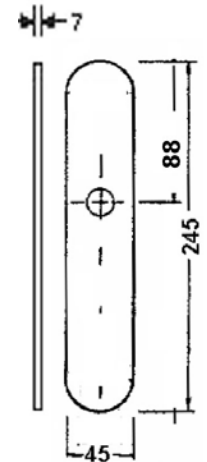
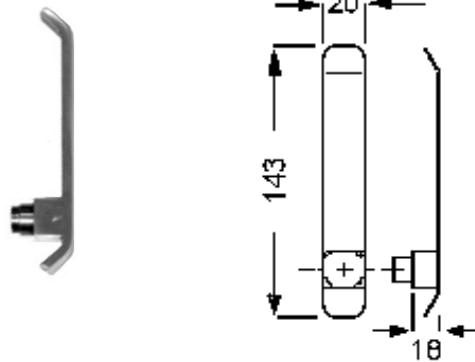
- Escutcheon # 12.222
- Escutcheon # 12.222
- Escutcheon # 12.222
- Escutcheon # 12.222



- # 11.SEFT.017 Complete Sliding door lock, strike and key/thumb-turn
- # 11.SEFT.017 Complete Sliding door lock, strike and key/thumb-turn
- # 11.SEFT.027 Complete Sliding door lock, strike and key/thumb-turn
- # 11.SEFT.027 Complete Sliding door lock, strike and key/thumb-turn

- Lever # 12.527 Polished Stainless Steel
- Lever # 12.527 Satin Stainless Steel
- Lever # 12.045 Polished Stainless Steel
- Lever # 12.045 Satin Stainless Steel

- Escutcheon # 12.222
- Escutcheon # 12.222
- Escutcheon # 12.222
- Escutcheon # 12.222



- # 11.SEFT.037 Complete sliding door lock, strike and key/thumb-turn
- # 11.SEFT.038 Complete sliding door lock, strike and key/thumb-turn

- Lever # 12.53F Polished Stainless Steel
- Lever # 12.53F Satin Stainless Steel

- Escutcheon # 12.222
- Escutcheon # 12.222

All sets include: 1x keyway with 2 keys and 1x thumb-turn

(optional: Change to 2 keyways). Specify door thickness and handing when ordering.



ENTRY MORTISE LOCK COMMERCIAL GRADE

WITH STAINLESS STEEL LEVERS, THUMB-TURN AND SCHLAGE KEYWAY

LEVER: 12.1035 ROSE: 12.110 MECHANISM: UL RATED COMMERCIAL GRADE

WWW.IZERWAREN.COM SALES@IZERWAREN.COM

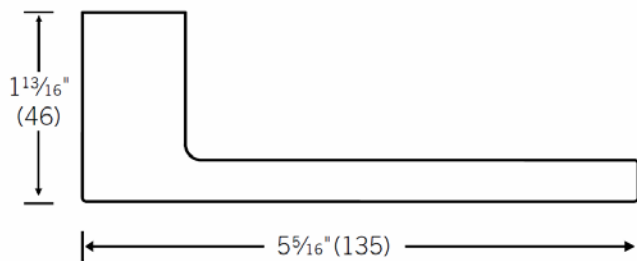


Interior Grade Privacy Set Up with Tubular Bolts and Lever #12.1251 and Rose #12.1703
Thumb-turn set with square roses #12.1736



LEVER: 12.1251

ROSE: 12.110



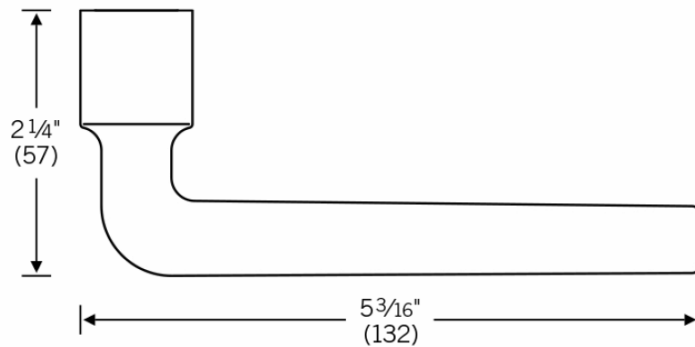
WWW.IZERWAREN.COM SALES@IZERWAREN.COM

David Chipperfield's design for the 1004 bears the hallmark of the pioneers of modernism. It is based on a clear formal concept which meets all of the functional requirements while giving expression to his formal idea in both public and private spheres.



LEVER: 12.1004

ROSE: 12.1703

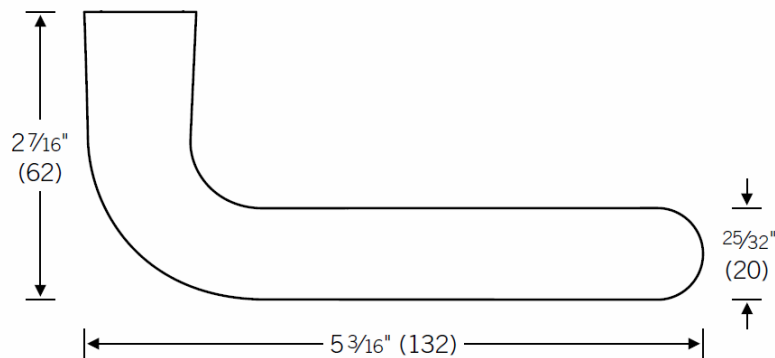


The logo echoes a lever handle designed by the Austrian philosopher Ludwig Wittgenstein in the mid-1920s in Vienna. This is the original upon which all similar door handle shapes are based. By adding a conical shank and spherical tip we aimed to set ourselves apart from the many other variants of this handle on the market.



LEVER: 12.1147

ROSE: 12.110

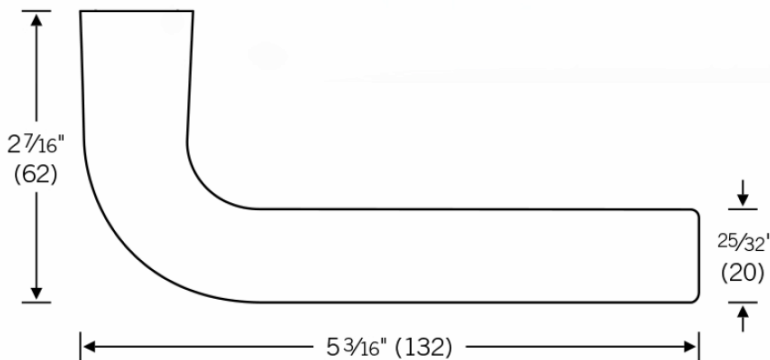


Door Pull: 12.66602

In the 1920s Mr. Mallet-Stevens mitred two sections of cylindrical tubing together: 1076. Mr. Wittgenstein bent a cylindrical brass tube: 1147. Messrs Gropius and Meyer married an angled piece of square section material to a handle bushing: 1102. However, we still don't know today who it was that picked up a saw and "liberated" 1147 from its hemispherical tip.



LEVER: 12.547 ROSE: 12.110



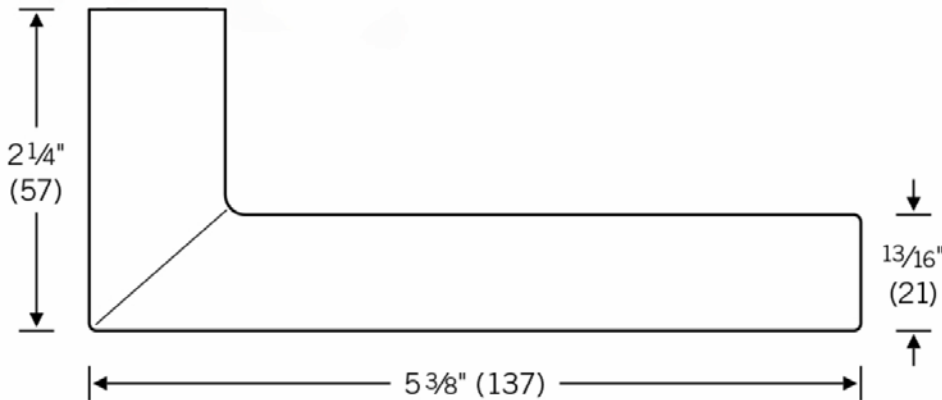
Door Pull: 12.666602

The architect Robert Mallet-Stevens (1886 – 1945) was the one who hit upon the idea of cutting a round tube in two and mitring the ends together again at a right angle. His creation is today known as the "Frankfurt Model". The handle was rediscovered when the Architecture Museum was rebuilt and proceeded to take the market by storm.



LEVER: 12.57647

ROSE: 12.110



DOOR PULL: 12.66669

In 1990, introduced a door handle to the market which originated in the 1920s. The 1076 model has since become the most-copied door handle of the last century. The version shown here, 1016, is a more closed-off counterpart to it.



LEVER: 12.527

ROSE: 12.110



DOOR PULL: 12.6514

150 MM X 350 MM

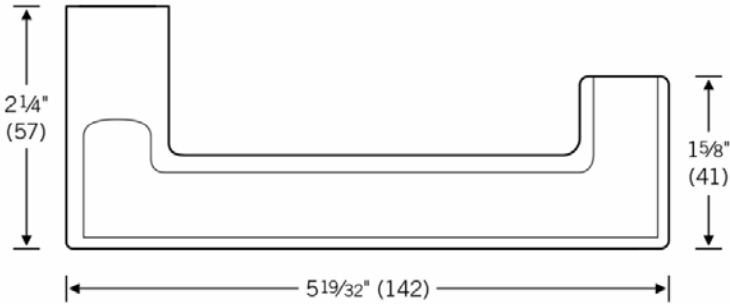
150 MM X 450 MM

It is not only the return that makes this version of door handle 1035 by Heike Falkenberg different from the original model. Model 1031 also features an inner steel core, creating a larger cross section and a greater grip area.



LEVER: 12.1031

ROSE: 12.110



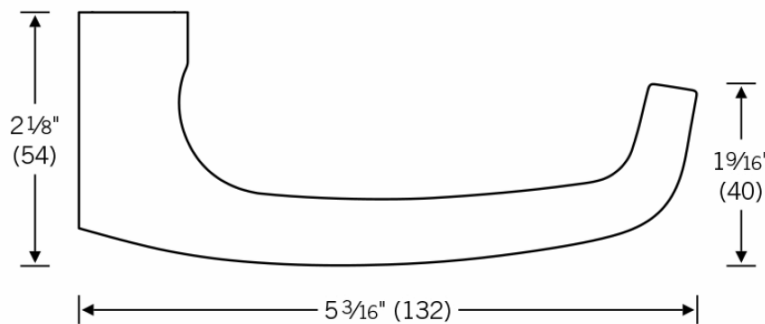
DOOR PULL: 12.666540

1045 is based on model 1015, which was conceived in the 1930s by a company called wehag. Given the unceasing use of the 1015 model in commercial buildings, we have added a return variant of this design.



LEVER: 12.1045

ROSE: 12.110



WWW.IZERWAREN.COM

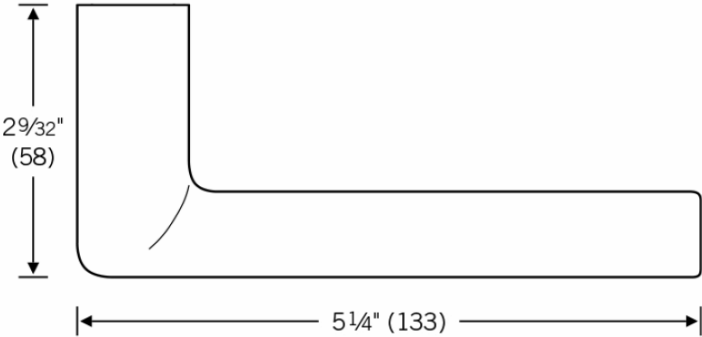
SALES@IZERWAREN.COM

The design parameters of the 1025 are plain to see. A straight grip is joined to the pivotal point on the shank. The handle has a droplet-shaped cross-section. With its no-frills looks, this is a design that offers up its services humbly. The 1025 is brought to life by the way it seems to capture the light along its edges.



LEVER: 12.1025

ROSE: 12.110



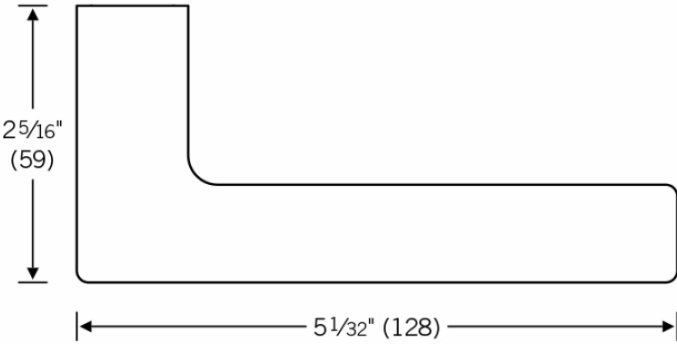
DOOR PULL: 12.6666

There are a lot of wedge-shaped door handles. Almost every manufacturer offers its own version of this basic shape. The original design for this door handle was most probably produced by Professor Max Burchartz. The 1005 version by Johannes Potente is characterized by its slender proportions.



LEVER: 12.1005

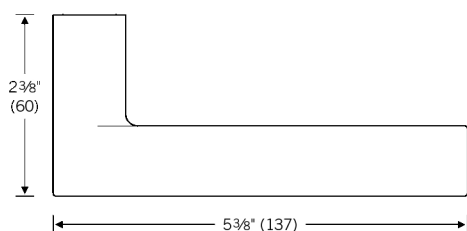
ROSE: 12.110



Catalogue No. 6 published by the S. A. Loevy bronzeware factory in the 1930s includes a variety of door fittings by Rachlis, Grenander, Behrens, Wagenfeld and Paul in which a round shank is combined with a flat grip section.



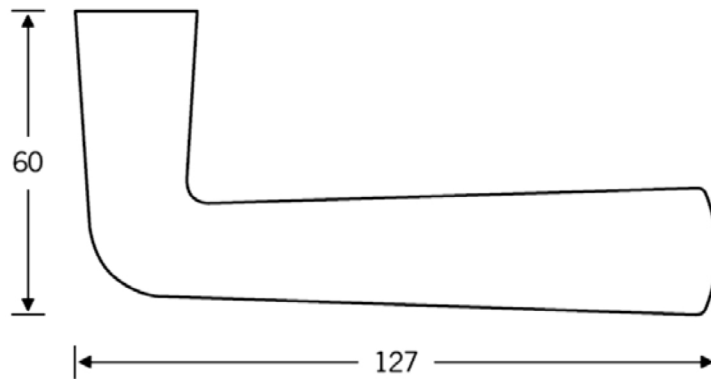
LEVER: 12.1021 ROSE: 12.110



1173 sports a trumpet shape very much reminiscent of a model that cropped up in the Frankfurt area in the 1920s but has also long been part of the repertoire. It is a masterful variation on the “tubular design” topic and constitutes a welcome alternative to the familiar classics, which we shall refrain from advertising here.



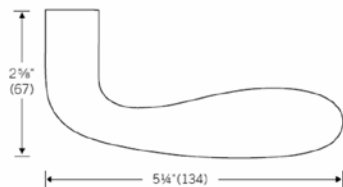
LEVER: 12.1173 ROSE 12.110



POLISHED STAINLESS STEEL



Interior Grade Tubular Latch Bolt with Lever 12.1250



LEVER: 12.1250 ROSE: 12.110

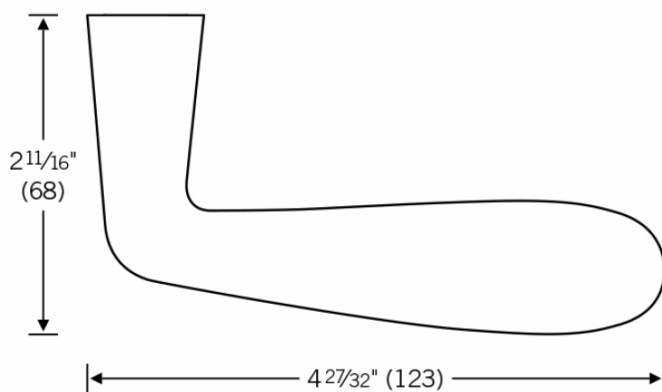
WWW.IZERWAREN.COM SALES@IZERWAREN.COM

The 1027 model is a stock item in the trade. It is rather disparagingly referred to as the "shoe horn". The underlying design is from Professor Max Burchartz. The handle lies extremely snug in your hand and unobtrusiveness is its watchword. The version of the "shoe horn" is by Johannes Potente.



LEVER: 12.1027

ROSE: 12.110



WWW.IZERWAREN.COM

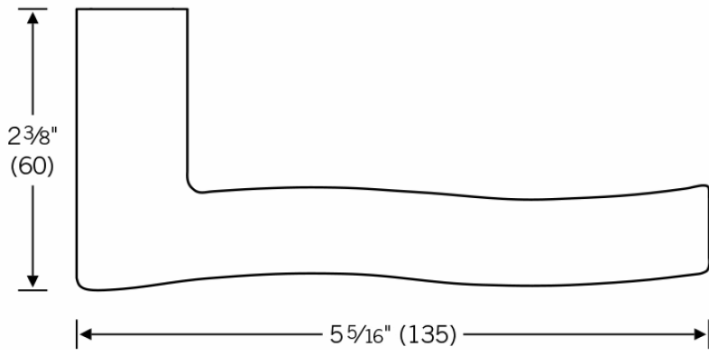
SALES@IZERWAREN.COM

The 1028 is a variation on the parameters used in the 1025, without neglecting the ergonomic qualities. This is a design that both pleases the eye and is pleasant to touch. The undulating handle looks great and it nestles into your hand.



LEVER: 12.1005

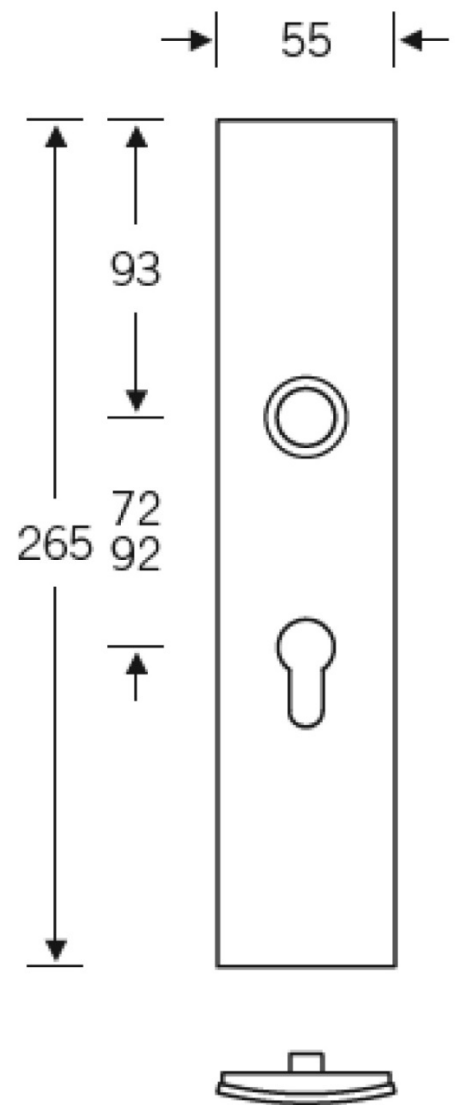
ROSE: 12.110



DOOR PULL : 12.66611

WWW.IZERWAREN.COM

SALES@IZERWAREN.COM



Escutcheon 12.1433 Convex; Lever 12.527; Mirror Polished Stainless Steel



MARINE GRADE STAINLESS STEEL RIM SETS SEE CHAPTR ONE FOR DETAILS



Rose #12.1110F Lever #12.576
Thumb-turn set #12.1735



Rose 12.1798 Lever #12.567
Thumb-turn set #12.1735



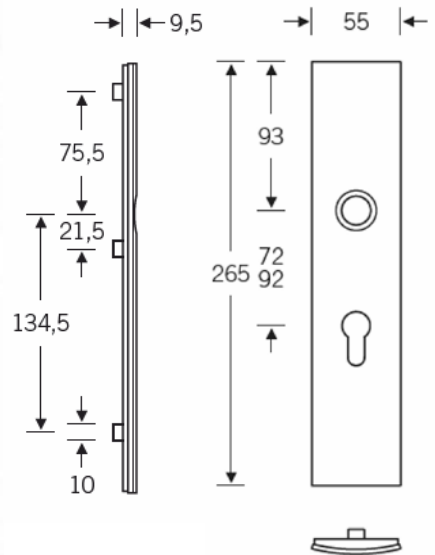
Rose 12.1703 Lever #12.1004



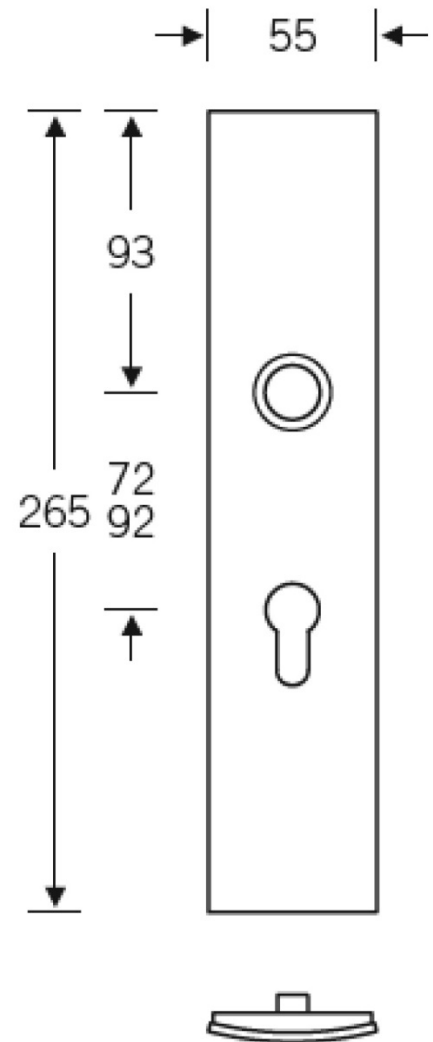
Rose 12.1705 Lever #12.1004



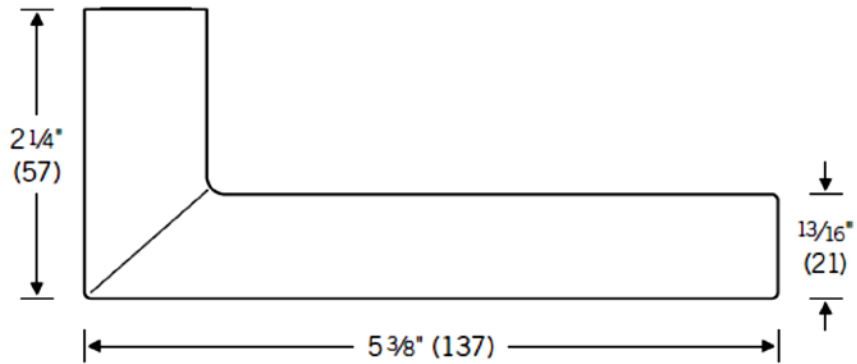
Escutcheon #12.1433 Convex Stainless Steel
Size 265 x 55 mm (10 1/2" X 2 3/16")
Lever #12.576



**See Catalog Chapter I Page for details
Satin and Mirror Polished Finish**



Escutcheon 12.1433 Convex; Lever 12.576; thumb-turn 12.1708 Satin Stainless Steel



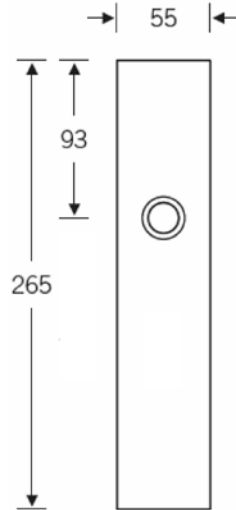
WWW.IZERWAREN.COM SALES@IZERWAREN.COM



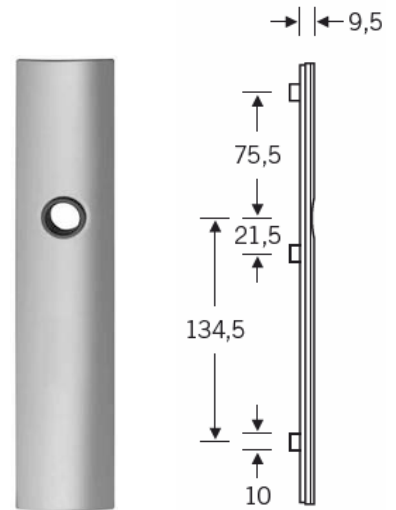
Izerwaren
Order
numbers

- Stainless Steel Escutcheons for marine locks
- Specify Finish:
- Satin stainless steel
- Mirror Polished stainless steel

12.1433F **Stainless steel escutcheon plate**
 Passage model
 Square corners, 265 x 55 x 9.5 mm
 Clip on style with inner escutcheon
 Screws invisible

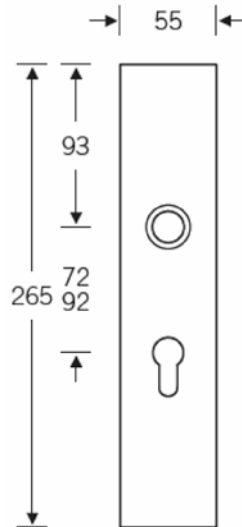


12.1433F

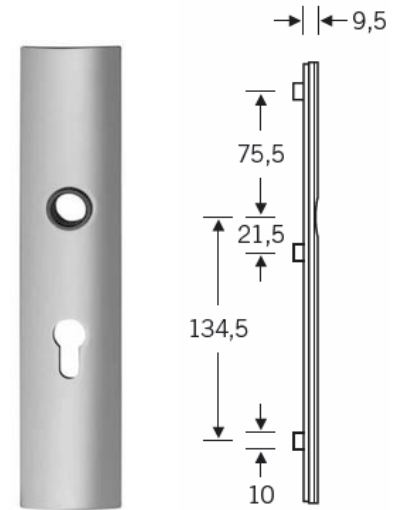


Clip on escutcheon # 12.1433F with inner plate
 Square corners, 265 x 55 x 9.5 mm
 10 1/2 x 2 3/16 x 3/8 inch
 Stainless steel
 Renovation Style

12.1433Z **Stainless steel escutcheon plate**
 Entry Model
 Square corners, 265 x 55 x 9.5 mm
 Clip on style with inner escutcheon
 Screws invisible



12.1433Z

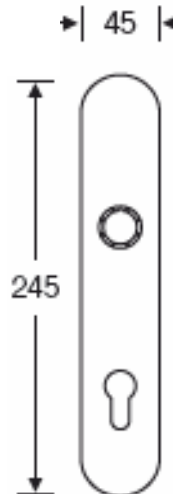


Clip on escutcheon # 12.1433Z with inner plate
 Square corners, 265 x 55 x 9.5 mm
 10 1/2 x 2 3/16 x 3/8 inch
 Stainless steel; Renovation Style

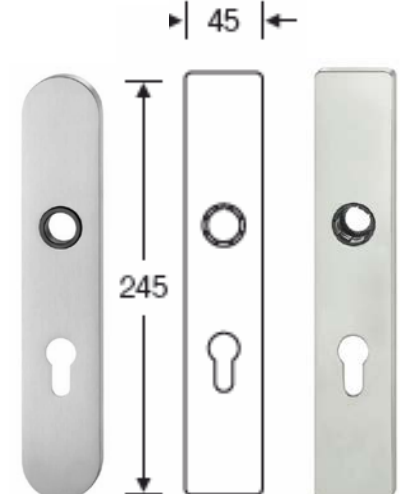
12.1433W **Stainless steel escutcheon plate**
 Privacy Model (not shown)
 Square corners, 265 x 55 x 9.5 mm
 Clip on style with inner escutcheon
 Screws invisible

12.222 **Stainless steel escutcheon plate**
 with round corners, 245 x 45 x 10 mm
 Screws invisible

12.1410 **Stainless steel escutcheon plate**
 with square corners, 245 x 45 x 10 mm
 Screws invisible



12.222



#12.222 round #12.1410 square
 Stainless steel with clip with inner plate

For Narrow Style Doors:
 See pages I-9-I and I-14- and I-14-A
 Cropped lever 12.021: See page I-1-2

All Lever Models: Page I-2



Izerwaren
Order
numbers

- Tubular latch sets; steel parts Interior Grade
- Satin stainless steel
- Mirror Polished stainless steel



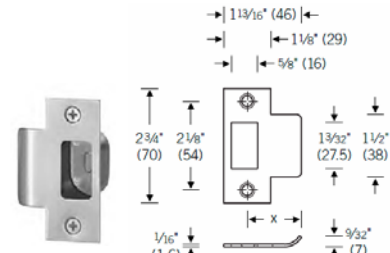
12.723238
12.723234

Passage bolt with standard strike Sample roses #12.173114
HLL 7230 6204 238 60 mm backset or 2 3/8 inch
HLL 7230 6204 234 70 mm backset or 2 3/4 inch

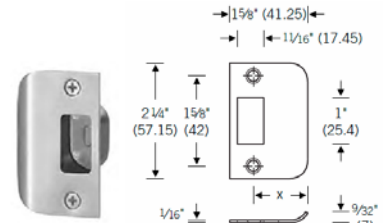


12.724238
12.724234

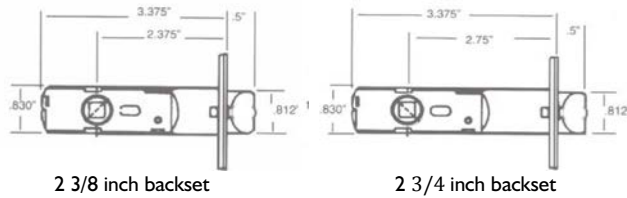
Privacy bolt with strike ; pin operated. Sample roses #12.173115
HLL 7240 6204 238 60 mm backset or 2 3/8 inch
HLL 7240 6204 234 70 mm backset or 2 3/4 inch



Strike plate #12.1001 stainless steel



Strike plat #12.1003 stainless steel



2 3/8 inch backset

2 3/4 inch backset



12.725238
12.725234

Dead Bolt 2 3/8" backset with strike box; #12.1704 Privacy set square roses

Dead Bolt 2 3/4" backset with strike box



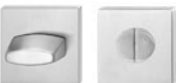
12.725238
12.725234

Dead bolt 2 3/8 backset with strike box; #12.1735 Privacy set round roses

Dead Bolt 2 3/4 inch backset with strike bolt

HDD 7240 6204 238 60 mm backset or 2 3/8 inch
HDD 7240 6204 234 70 mm backset or 2 3/4 inch

Function R = one sided - thumb turn only - please specify
Function S = both sided thumb turn indicator - please specify



#13.3295RS thumb-turn only with square rose
#13.3296RS indicator only with square rose



#13.3293RF thumb-turn only with round rose
#13.3294RF indicator only with round rose



Privacy bolt #12.725238 & Thumb-turn set #12.1704
Passage latch #12.723238
With rose pair #12.1703 and Lever pair #12.1251
Satin Stainless Steel Finish



Privacy bolt #12.725238 & Thumb-turn set #12.1735
Lever #12.1183; Rose #12.173114
Satin Chrome finish



#12.42311 dummy bolt with blank faceplate;
for bore hole 3/4 inch hole and 8x8 mm spindle
One side mounting possible
Both sides mounting possible
05 0423 00110



DUMMY SETS

H

Trim Sets

RD RS

For Elements and Transitions Series only

05 0423 00701

Surface mounted subrose. Set includes one dummy mount subrose, one 2 3/16" (65 mm) rose, and one lever.

#12.42315 DUMMY SET WITH SQUARE 65 MM ROSES, LEVERS

Trim Sets

RA RM

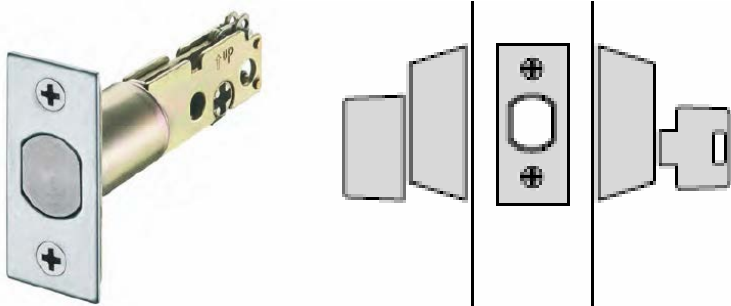
05 0423 00402

Surface mounted subrose. Set includes one dummy mount subrose, one 2 3/16" (55 mm) rose, and one lever.

#12.42313 DUMMY SET WITH SQUARE 55 MM ROSES, LEVERS

#12.42314 SET: DUMMY WITH ESCUTCHEON #12.1410 245X45 MM LEVERs #12.045

KEYWAY/THUMBTURN SET



DEADBOLT WITH SCHLAGE KEYWAY #12.238134 BACKSET 2 3/8" FUNCTION KEY/ KNOB: FUNCTION "P"

5

Outside

Inside

Tail Piece Position

6

Outside

Inside

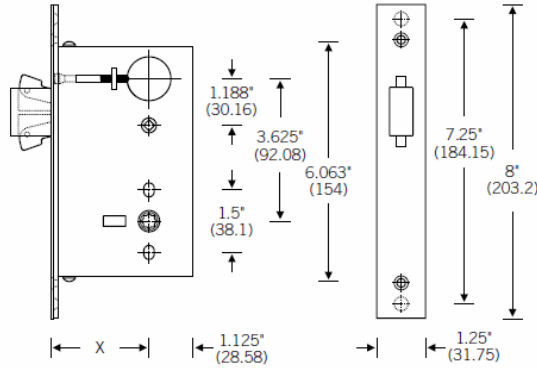
90°

Test before closing the door!



SLIDING DOOR LOCK 12.7005 WITH SCHLAGE KEYWAY AND LEVER NO.: 12.576 ROSE 12.110

WWW.IZERWAREN.COM SALES@IZERWAREN.COM



Series SLL

Sliding Door Lock

Backsets

- 2 1/2" (64 mm)
- 2 3/4" (70 mm)
- 3 3/4" (95 mm)
- 5" (127 mm)
- 6" (152 mm)

Strike

Deadbolt strike with dustbox.

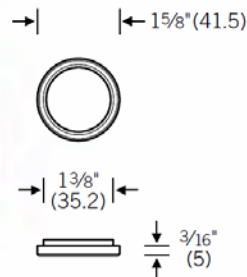
As standard, the deadbolt is always supplied in satin chrome or satin brass. Custom finishes are available on request.



SLIDING DOOR LOCK NO. 12.7005 SPECIFY BACKSET



LEVER 12.567; ROSE 12.110



Cylinder must be ordered separately

KEYWAY THUMB-TURN UPON REQUEST; SPECIFY DOOR THICKNESS

WWW.IZERWAREN.COM SALES@IZERWAREN.COM



FLUSH PULL SET WITH MORTISE SLIDING DOOR LOCK COMPLETE: 13.SB170



POCKET DOOR FLUSH LEVER SET:

PASSIVE SIDE LEFT, 13.SB007 (SET);

ACTIVE SIDE RIGHT 13.SB170 WITH MECHANISM

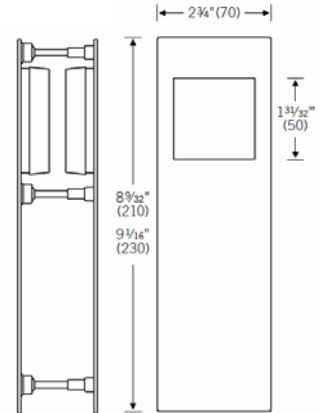
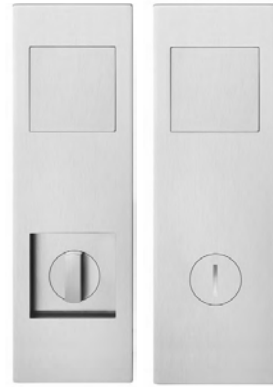


Izerwaren
Order
numbers

Flush levers and Pulls
Sliding Door Locks

13.SB170

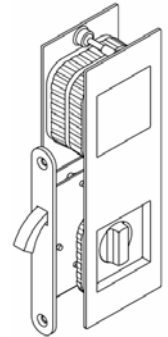
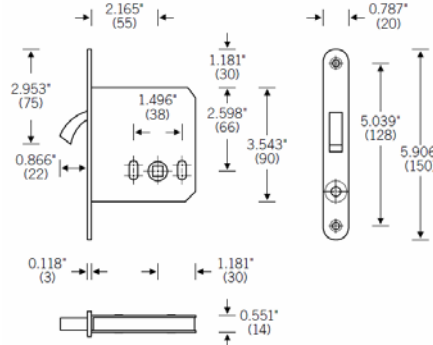
Flush Pulls, Privacy set
230 x70 mm 9 1/16 x 2 3/4 inch
For 1 1/2 inch door thickness
Flush pulls with flaps and
Thumb-turn / indicator included
Parts separate: Page 5-1-E



Set: 13.SB170; Flush pulls with lock ESL 7001 **minimum door thickness: 1 1/2" (38 mm)**

13.7001

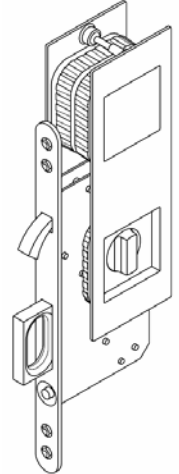
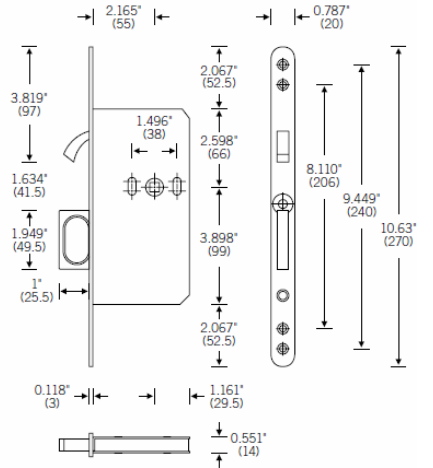
Sliding door lock
55 mm backset ~ 2 3/16 inch
Stainless steel front plate
Steel parts, interior grade



13.7001 passage lock 55 mm backset; satin stainless finish, steel parts, interior grade

13.7002

Sliding door lock, edge pull
55 mm backset ~ 2 3/16 inch
Stainless steel front plate
With edge pull
Steel parts, interior grade



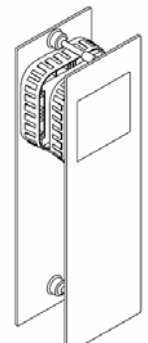
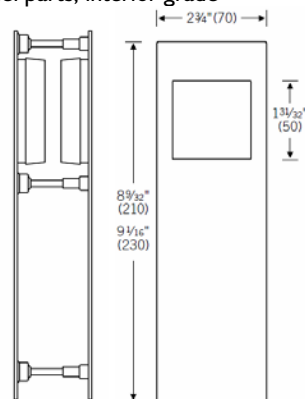
13.7002 passage lock 55 mm backset with edge pull
satin stainless finish, steel parts, interior grade



Picture showing double door set

13.SB007

**Flush Pulls with push/flap
lever, set**
230 x 70 mm 9 1/16 x 2 3/4 inch
For 1 1/2 inch door thickness



Flush trim set 13.SB007; Dummy set pulls for sliding doors. **Min. door thickness: 1 1/2 inch**
70 X 230 mm or 2 3/4 X 9 1/16 inch

Parts separate: Page 5-1-E

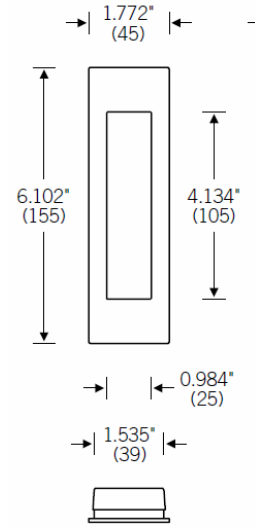


Set: Flush pulls 13.425 | Spring loaded cup Minimum door thickness: 1 1/2" (38 mm)



Izerwaren
Order
numbers

Flush levers and Pulls
Sliding Door Locks



Set: Flush pulls 13.42511 Spring loaded cup Minimum door thickness: 1 1/2" (38 mm)
Size: 155 x 45 mm 6 1/16 x 2 3/4 inch

13.42511 **Flush Pulls, spring loaded cup**
155 x 45 mm 6 1/16 x 2 3/4 inch
For 1 1/2 inch door thickness

13.42510 **Flush Pulls, with hole**
155 x 45 mm 6 1/16 x 2 3/4 inch
For 1 1/2 inch door thickness

13.42512 **Flush Pulls, with small hole**
155 x 45 mm 6 1/16 x 2 3/4 inch
For 1 1/2 inch door thickness



#13.42510
with cup



#13.42511
spring loaded



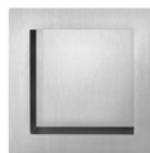
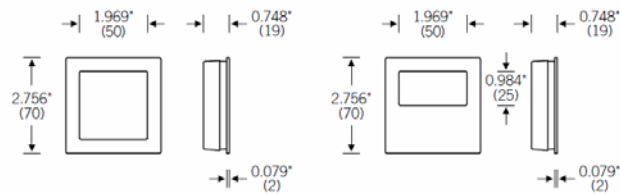
#13.42512
with slot

155 x 45 mm; 6 1/16 x 2 3/4 inch; Minimum door thickness: 1 1/2" (38 mm)
Stainless steel

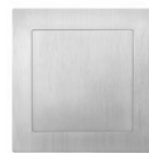
13.42530 **Flush Pulls, Square with hole**
70 x 70 mm 2 3/4 x 2 3/4 inch
Stainless steel

13.42531 **Flush Pulls, Square spring loaded**
70 x 70 mm 2 3/4 x 2 3/4 inch
Stainless steel

13.42532 **Flush Pulls, Square with slot**
70 x 70 mm 2 3/4 x 2 3/4 inch
Stainless steel



Flush pulls #13.42530
with cup



#13.42531
spring loaded



#13.42532
with slot

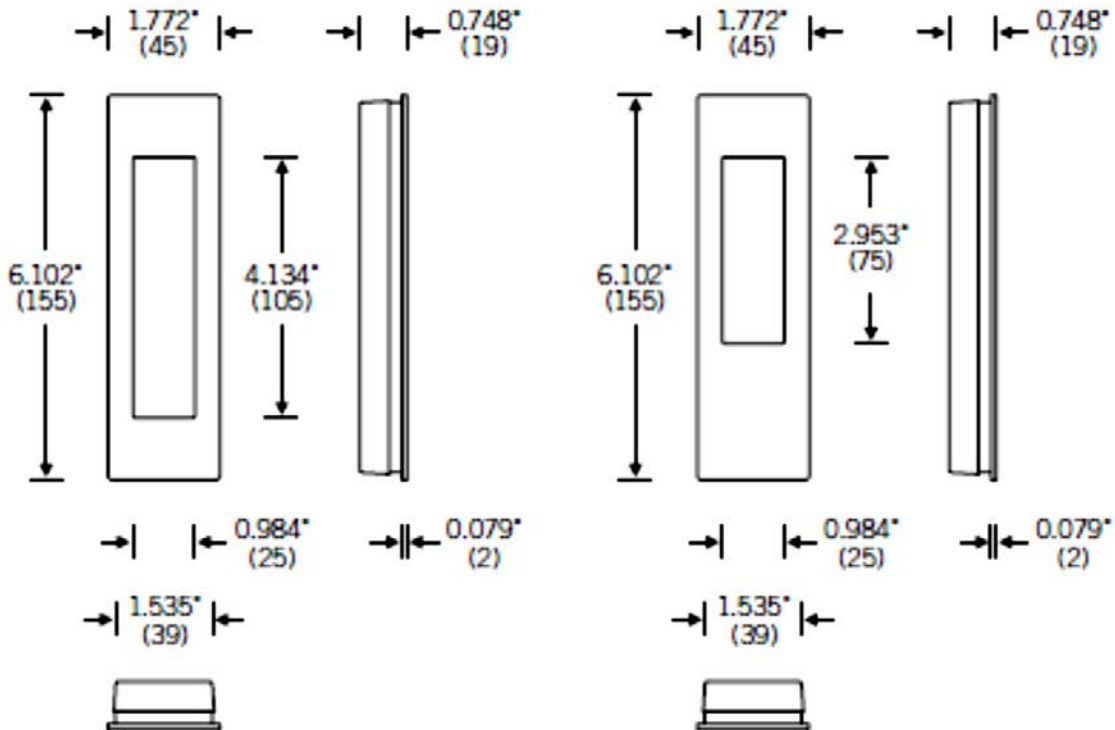
70 x 70 mm; 2 3/4 x 2 3/4 inch; Minimum door thickness: 1 1/2" (38 mm)
Satin Stainless Steel

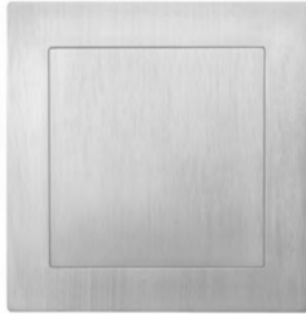


Flush Door Pull #13.42510
with cup
155 x 45 mm;

#13.42511
spring loaded
Minimum door thickness: 1 1/2" (38 mm)
Satin or Mirror Polished Stainless steel

#13.42512
with slot



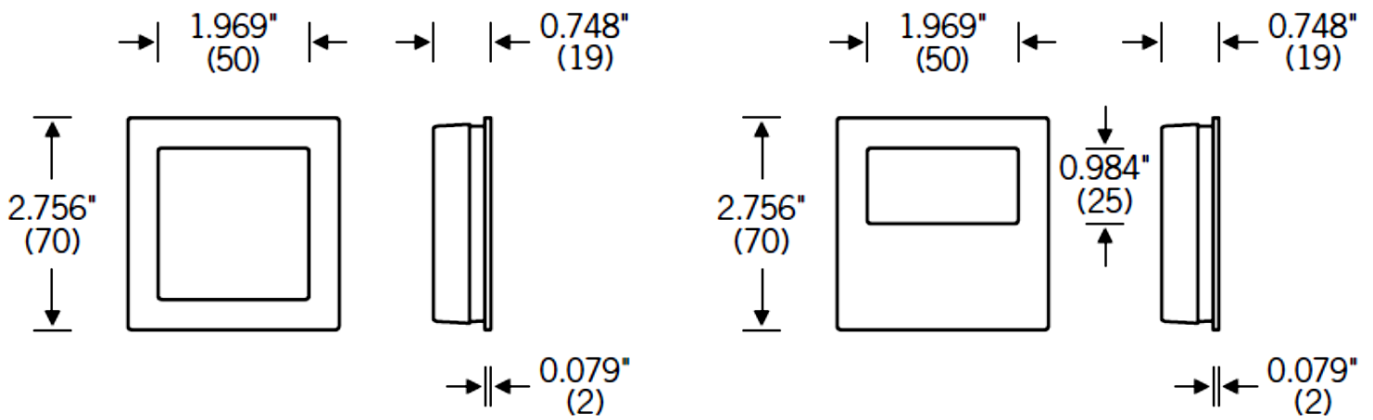


Flush pulls #13.42530
with cup

#13.42531
spring loaded

#13.42532
with slot

70 x 70 mm; 2 3/4 x 2 3/4 inch; Minimum door thickness: 1 1/2" (38 mm)
Satin Stainless Steel



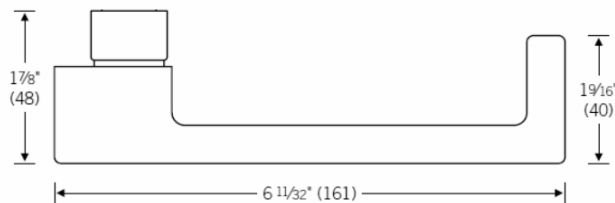


FSB North America

GLASS DOOR LOCK no. 82.5221 WITH LEVER no. 12.1074 commercial grade steel parts

Hadi Teherani delivers the function of a cranked lever handle, while averting the danger of a users thumb hitting the frame, by shifting the handle's point of rotation leftwards.

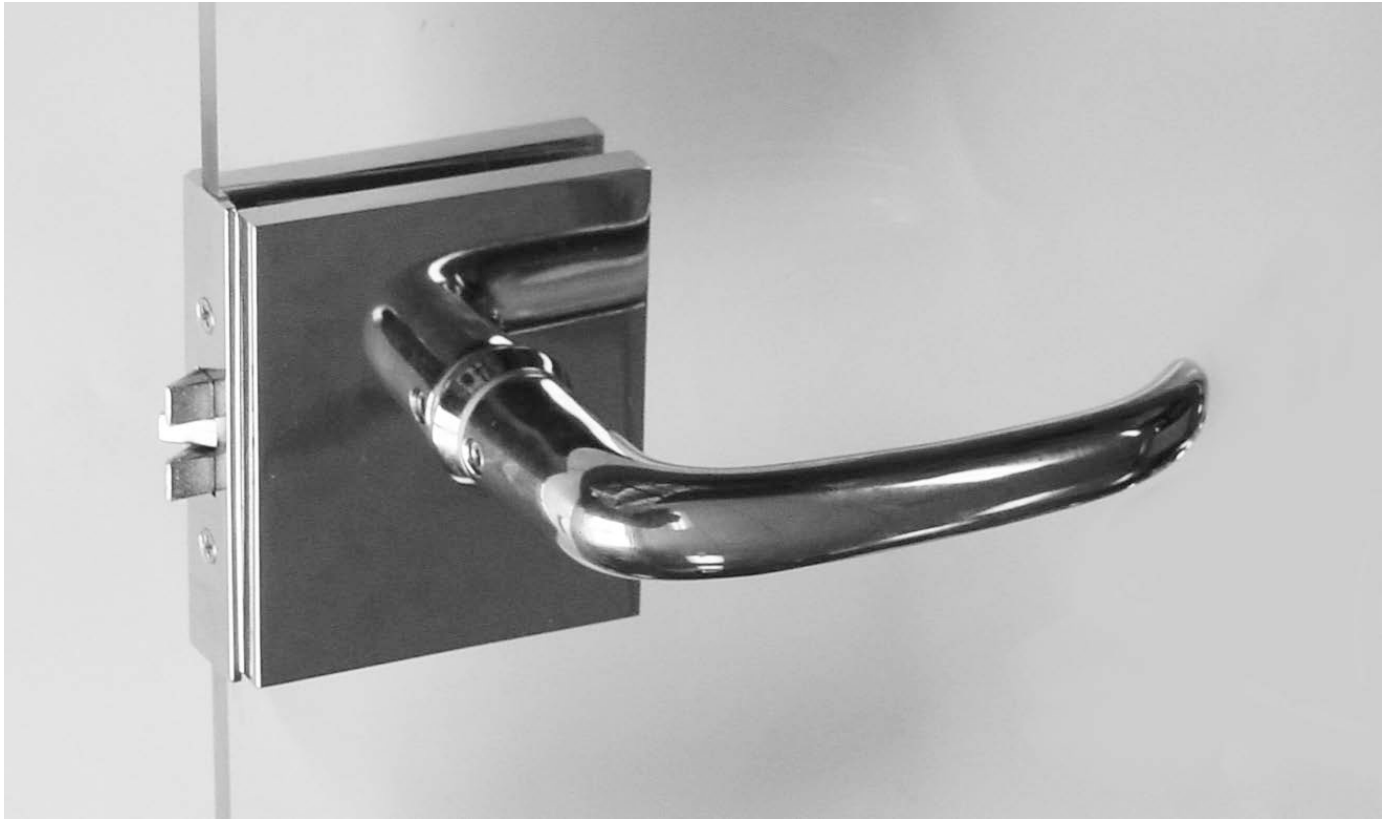
The designer's model 1074 sports a similarly radical return to the door: he simply takes a third of the grip section and attaches it to same at right angles.



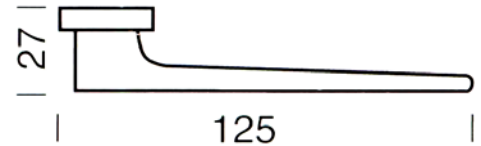
MWFS OP/; 23/2185 SPTF OP/; 23/2814

X X X/J[FS XBSFO/DP N

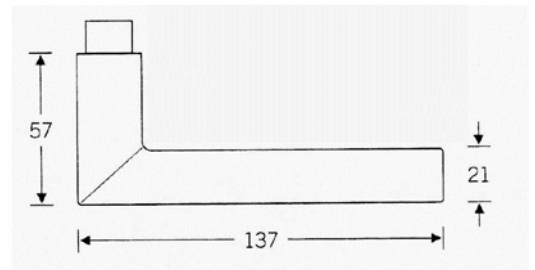
TBMFTA J[FS XBSFO/DP N



SET: #82.511.17 Glass Door Latch #82.511 for 3/8" and 1/2" glass doors with lever #12.527
Polished Chrome Plated Brass Lever Polished Stainless Steel



Glass door latch #82.511 with lever #11.1341; 125 mm overall; extend 25 mm or 1 inch from surface

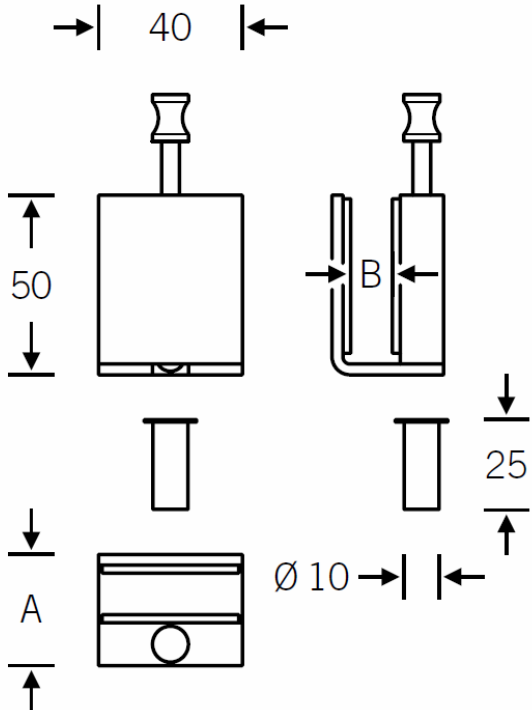


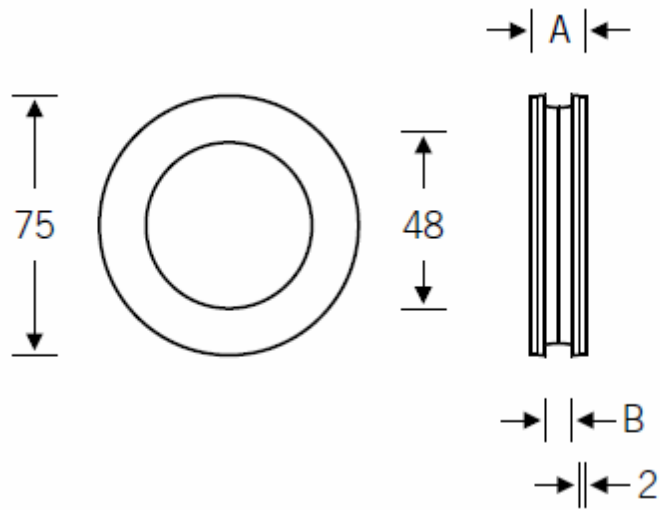
#12.576 Lever; 137 mm long overall Extend 2 inch from surface



GLASS DOOR CATCH 12.4230.

. WHEN ORDERING STATE GLASS THICKNESS: FOR 5/16; 3/8; OR 1/2 INCH THICK GLASS

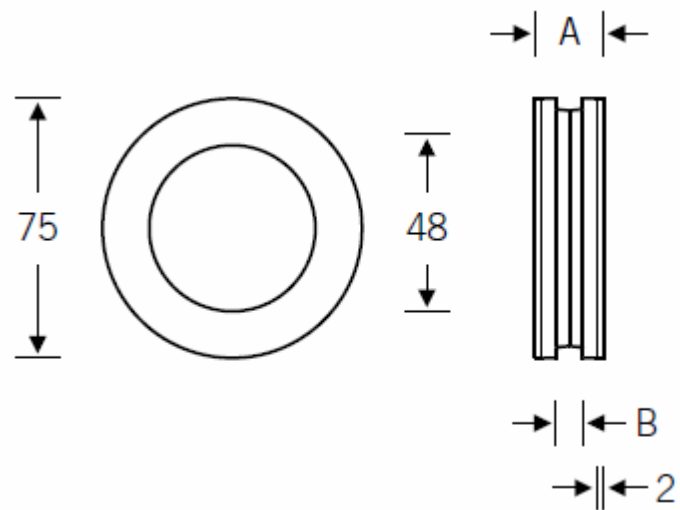




GLASS DOOR FLUSH PULL PART NO. 82.42561 OUTSIDE DIAMETER: 3 INCH

WWW.IZERWAREN.COM

SALES@IZERWAREN.COM



GLASS DOOR FLUSH PULL PART NO. 82.42562 OUTSIDE DIAMETER: 3 INCH

WWW.IZERWAREN.COM

SALES@IZERWAREN.COM



Stainless steel Trim section I and Decorative Trim section 2A



Hatch Fasteners - section 4



Stainless Steel Refrigerator latches - Section 2



Stainless Steel Gas Springs - Section 6



Stainless Steel Gas Springs applications - Section 6



Glass Door Latches Section 8

Welcome to Izerwaren Inc.!,

This Catalog is for the trade professional, the user of high-end quality hardware for custom built yachts of every size. All our products are backed by commercial warranty and fully supported by Izerwaren Inc. service. Detailed drawings (color) pictures are available for most products in this catalog. If there is an item you need which is not shown in this catalog, we will do an effort to source it for you.

**Our Showroom and Office are located at:
2207 South Andrews, Fort Lauderdale, FL 33316.**

Our Mailing Address is: 2207 South Andrews, Fort Lauderdale, FL 33316.

Web Site: www.izerwaren.com



Non Corrosive Fine Building and Ships Hardware

IZERWAREN INC.

Ships and Designers Hardware

Mailing and shipping address:

2207 South Andrews, Fort Lauderdale, FL 33316

web site:

www.izerwaren.com

E-mail: Sales@izerwaren.com



IZERWAREN.COM

for Exceptional European Hardware